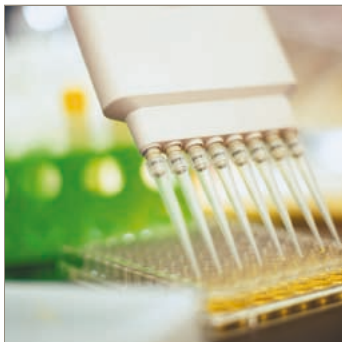


aerospace
climate control
electromechanical
filtration
fluid & gas handling
hydraulics
pneumatics
process control
sealing & shielding



Precision Technology

LXR Series Direct Drive Linear Motor Table

Parker核心代理商



北京润诚时代科技有限公司

自动化事业部

地址：北京市朝阳区汤立路218号C座968室

邮编：100012

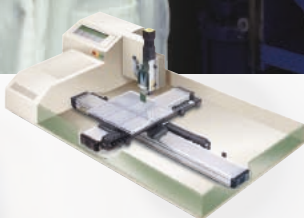
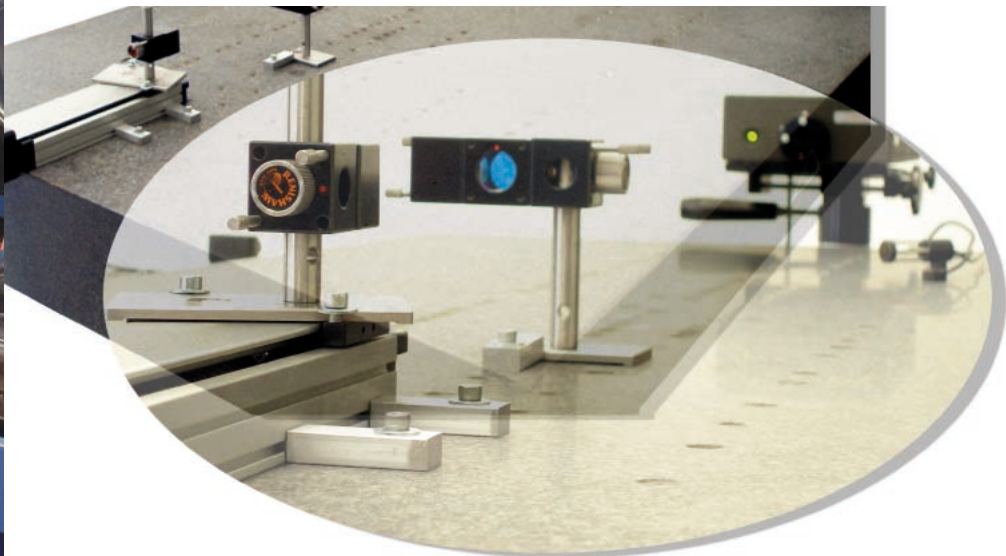
电话：010-84450370

传真：010-84450371

网址：www.runcheng.net

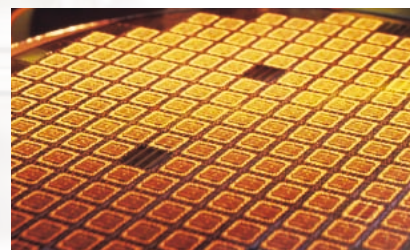


ENGINEERING YOUR SUCCESS.



Parker Facility in Offenburg, Germany

Manufacturing and Service for Precision Components in Europe



Precision Automation

Applications and industries integrating precision motion control have requirements that exceed most motion product capabilities - levels of accuracy, repeatability, straightness, flatness and orthogonality that demand specialized product designs and manufacturing capabilities. With more than 25 years of product design and manufacturing experience in the most demanding precision motion markets, Parker is ready to provide the products and systems to serve our customers' most challenging needs.

Customization and Services

Unlike many other motion technologies, precision electromechanical applications often require custom solutions. Many solutions are complete one-of-a kind systems.

Our experienced engineers and technicians provide:

- Application advice
- Product sizing and selection, including mechanics, motors, drives and controls
- System design
- System manufacturing including testing and axis alignment
- System commissioning
- System maintenance

Parker Precision Automation customers can receive many optional services such as:

- 3D Custom assembly drawings
- Matches motor control systems
- Life-load diagrams
- Customized cabling systems

Advanced Manufacturing Capabilities

Our advanced manufacturing and assembly process allows us to build quality and consistency into every element of your motion system. Each mechanical system is fully assembled prior to shipment and each component is properly handled to protect finish and appearance. While providing advanced manufacturing capabilities, we also strive to maintain the industry's best lead times for precision motion products.

Performance and specifications are verified with state-of-the-art testing, including

- **Cleanroom-approved versions** - Parker is equipped with in house particulate testing facilities to certify materials for cleanroom ratings.
- **EMI testing** - Parker has an EMI test chamber, which allows us to test equipment to verify levels of electromagnetic interference.
- **Precision Metrology Lab** - When precision is critical to your process, you need validated, proven performance data. Parker certifies all precision-grade positioners using state-of-the-art laser interferometers, and provides reports to validate accuracy and bidirectional repeatability.

Parker Automation Technology Centers

Parker Automation Technology Centers are a network of premier product and service providers who can serve you locally for your automation needs. Each Automation Technology Center is certified to have completed significant product training and has the ability to provide subsystem solutions with local support. Parker Automation Technology Centers are located throughout Europe, and are served by our European manufacturing facility in Offenburg, Germany.

Selectable Levels of Integration

Parker's **Selectable Levels of Integration** is a philosophy of product development and management that allows the machine builder to select an appropriate system, subsystem, or component to meet a specific need. Parker has solutions for machine builders of all types, from those who want a complete integrated system to those who want to build their own system from "best of breed" components.

Systems

Machine builders and OEMs often choose to integrate a complete electromechanical system into their machine. They have confidence in knowing that our knowledge, experience, and support will ensure that their goals are met. Minimal design engineering ensures component compatibility from a single source.

Subsystems and Bundled Products

For a cost-effective and efficient solution, Parker offers bundled or kitted systems. We can combine motors, gearheads, and positioning systems to deliver a configured subsystem ready for installation. Parker configuration and setup software accommodates the rest of the product line, making start-up a snap. Combining this with our custom product modification capabilities gives the machine builder an economical custom-fit solution, with reduced engineering effort, straightforward integration, and modular compatibility.

Component Products

We offer the broadest range of linear and rotary motion products available for automation systems. If you have the capability and experience to develop your own systems, our innovative, easy-to-use products will help you get the job done. Parker provides short lead times, large selection, and proven reliability.

LXR Series

www.parker-eme.com/lxr

LXR Series Features

Linear motors cannot function on their own. Before motion can occur, a platform must be engineered to provide support, direction, and feedback for the linear motor. Bearings, cables, connectors, encoder, travel stops, homing sensor and other components must be performance matched and integrated to achieve desired motion and control.

Parker linear motor tables provide all this and more in a pre-engineered, easily mounted, ready to run package. The linear motor magnet rail is mounted to a stationary base and theforcer is mounted to the moveable carriage. The only contact between the moving carriage and the stationary base is through the linear support bearings. High-precision square rail bearings provide load support, low-friction translation, and a precise linear path. A high resolution linear encoder provides the required velocity and positional information to the motor controller, and a unique cable management system enables high performance motion with a life of 30 million cycles and beyond. Parker tables, with the slotless linear motor, are offered in three sizes: 404LXR, 406LXR, and 412LXR.

- Pre-engineered package
- Performance matched components
- Environmental protection
- Laser certified precision



Performance matched components

The LXR Series linear servo motor tables achieve optimum performance by combining slotless motor technology with performance matched mechanical elements and feedback devices. Fast response, high acceleration, smooth translation, high velocity, and quick settling time describe the performance characteristics found in the LXR while high repeatability, precise accuracy, and submicrometer resolution define the positioning attributes.

Sized to fit

The LXR Tables are offered in three widths (100, 150, and 300 mm), and travel lengths up to 3 m to accommodate the size and performance requirements of many industries including life sciences, photonics, semiconductor, digital printing, solar panel, and general automation.



„Designer friendly“ features and options

A vast assortment of „designer friendly“ features and options simplify the engineering challenges often confronted with „base model“ positioning devices. Features like the IP30 protective strip seal and long life cable management system exemplify the built-in value found in the LXR units. Other selectable enhancements like cleanroom compatibility, travel limit sensors, motor drives, encoder resolution, and pinning holes for tooling location, simplify machine design and integration efforts.



Flexibility and multi-axis compatibility

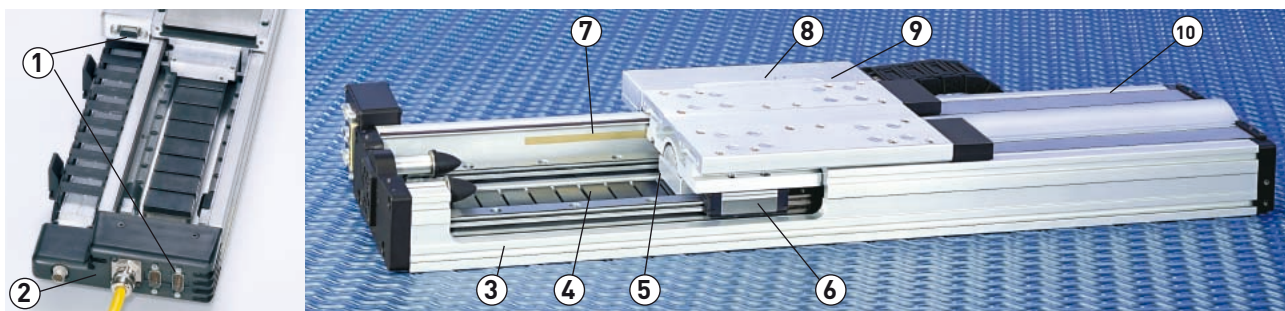
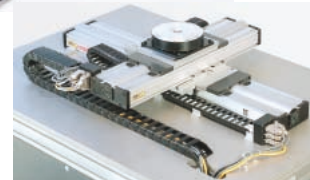
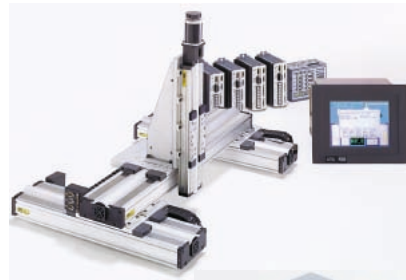
The LXR's selection flexibility and mounting compatibility with the XR ballscrew driven tables enables single-axis or complex multi-axis units to be configured in a straightforward manner.



Parker's matching servo drives and motion controllers can be included to complete the motion system.

Customs and systems

For specialized applications requiring customization, Parker design engineers can easily modify these tables to suit, or engineer complete interactive linear motion systems to desired specifications. Parker's LXR series tables have taken the mystery, difficulty and cost out of integrating linear motor tables into high throughput precision positioning applications.



① "Pass-through" cabling

Pre-wired, plug-in connection of the moving payload for easy hookup of user instruments or end effectors.

② Connection panel

Electrically shielded panel provides „plug-in“ connectivity and quick disconnect for all signal and power requirements.

③ High strength extruded aluminum body

Extruded aluminum housing is precision machined to provide outstanding straightness and flatness.

④ Magnet rail

Single rail of high energy rare earth magnets offers lower weight and lower cost than double magnet type.

⑤ Slotless linear motor

Provides a highly responsive, zero backlash drive system. Slotless motors offer excellent heat management, durability, and have built-in thermal sensor and hall sensors.

⑥ Linear guidance system

The highly engineered carriage and bearing system effectively counters the combined problematic effects of heat, high-speed and high acceleration.

⑦ Integral linear encoder

Protected non-contact feedback with selectable resolutions to 0.1 μm . Z channel is factory aligned to home sensor for precise homing.

⑧ Home/limit sensors

Proximity sensors establish end of travel and „home“ location and are easily adjustable over entire length to restrict the travel envelope.

⑨ „Quick change“ cabling

Innovative cable transport module offers extended life (30 million cycles) and a simple cable changing system for preventative maintenance.

⑩ Protective seals

Hard shell aluminum cover combined with stainless steel strip seals provide IP30 protection to interior components as well as enhances overall appearance.

LXR Series Technical Data

Frame size	Unit	404LXR	406LXR		412LXR	
Motor		8-pole	8-pole	12-pole	12-pole	
Continuous Force	[N]	50	75	110	355	
Peak force	[N]	180	225	330	1000	
Continuous current at 230 VAC	[A]	1.620	2.470	2.400	4.450	
Peak current*	[A]	5.8	7.3	7.1	13.4	
Force constant	[N/A]	30.619	30.619	46.54	79.608	
Nominal load	[kg]	45	180	180	950	
Maximum velocity						
Feedback resolution 0.1 µm	[m/s]	0.3	0.3	0.3	0.3	
Feedback resolution 0.5 µm		1.5	1.5	1.5	1.5	
Feedback resolution 1.0 µm		3.0	3.0	3.0	3.0	
Feedback resolution 5.0 µm		3.0	3.0	3.0	3.0	
Sine - Cosine		3.0	3.0	3.0	3.0	
Maximum acceleration	[m/s ²]	49				
Positional Repeatability						
Feedback resolution 0.1 µm	[µm]				± 1.0	
Feedback resolution 0.5 µm					± 1.0	
Feedback resolution 1.0 µm					± 2.0	
Feedback resolution 5.0 µm					± 10.0	
Sine - Cosine					(Interpolation dependent)	
Carriage mass	[kg]	1.4	3.2	4.1	12.3	

* based on a winding temperature of up to 60 °C for a period of:
404LXR - 5 s, 406LXR - 3 s, 412LXR - 63 s

Travel dependent specifications

Travel [mm]	Accuracy* [µm]			Unit weight [kg]			
	Positional Resolution		Straightness & flatness	404LXR	406LXR	406LXR	412LXR
	0.1, 0.5, 1.0	5.0		8-pole	8-pole	12-pole	12-pole
50	6	16	6	4.4	8.7	11.1	–
100	7	17	6	4.8	–	–	–
150	8	18	9	5.2	10.3	13.4	41
200	10	20	10	5.6	–	–	–
250	12	22	12	6.0	12.6	14.1	45
300	14	24	13	6.4	–	–	–
350	16	26	15	6.8	13.3	15.7	49
400	18	28	16	7.2	–	–	–
450	20	30	18	–	14.8	17.2	–
500	21	31	19	8.0	–	–	–
550	23	33	21	–	16.4	18.7	–
600	25	35	22	8.9	–	–	–
650	26	36	24	–	17.9	20.2	61
700	28	38	25	9.7	–	–	–
750	29	39	27	–	19.4	21.8	–
800	31	41	29	10.6	–	–	67
850	32	43	30	–	20.9	23.3	–
900	33	44	32	11.5	–	–	–
950	34	44	33	–	22.5	–	–
1000	35	45	35	12.4	–	27.1	75
1050	37	47	36	–	–	–	–
1200	39	49	41	–	26.3	–	83
1350	42	52	45	–	–	30.9	–
1450	43	53	48	–	30.1	–	–
1500	44	54	50	–	–	–	95
1600	45	55	53	–	–	34.7	–
1700	46	56	56	–	33.9	–	–
1750	46	56	57	–	–	–	105
1850	47	57	60	–	–	38.6	–
1950	48	58	63	–	37.7	–	–
2000	48	58	65	–	–	–	113
2350	49	59	76	–	–	–	–
2500	50	60	80	–	–	–	133
2850	50	60	84	–	–	–	–
3000	50	60	84	–	–	–	153

* The stated precision is specified at an ambient temperature of 20 °C.

Encoder specifications

Power input	5 VDC ±5 % 150 mA
Output (incremental)	Square wave differential line driver (EIA RS422) 2 channels A and B in quadrature (90°) phase shift.
Reference (Z channel)	Synchronized pulse, duration equal to one resolution bit. Repeatability (unidirectional) with reference to the movement in positive direction.

Limit and home specifications

Power input	+5 to +24 VDC 60 mA (20 mA per sensor)
Output	Output form is selectable with product: NC, sinking NO, sinking NC, sourcing NO, sourcing All types sink or source max of 50 mA
Repeatability	Limits: ±10 µm (unidirectional) Home: see Z channel specifications

Hall effect specifications

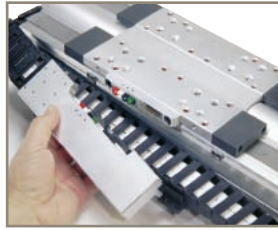
Power input	+5 to +24 VDC, 30 mA
Output	Open collector, current sinking, 20 mA max.

LXR Series Options & Accessories

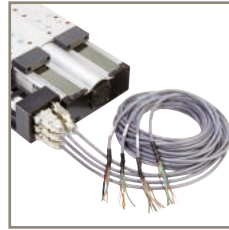
LXR Cable Management Options

Cable transport module

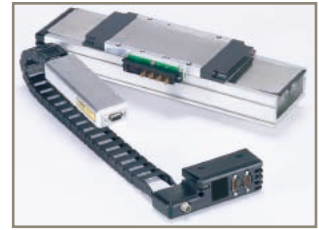
The LXR's cable transport module offers the convenience of „plug and play“ connectivity for fast, easy table installation and „quick change“ replacement. This system of cable management includes the highest quality high-flex ribbon cable with a life rating of 30 million cycles, a cable track with support brackets, a „quick change“ carriage cartridge, and a plug-in connector panel housing. It also provides a „pass-through“ connection and cabling for customer application. This transport module option is ideal for high throughput continuous duty requirements where downtime is not acceptable.



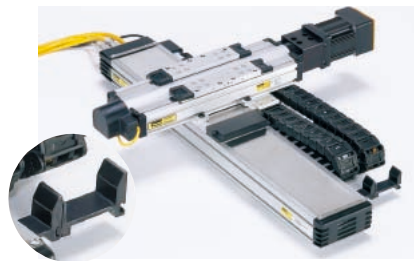
Quick change cartridge



Cable extensions - flying leads terminations



404LXR cable transport module



2-axis system with expandable cable management

Connection ends



404LXR



406LXR/412LXR

Cable transport module order code

Order code	Extension cable	
	Length [m]	Termination
CM02	No extension cables	
CM07	3.0	Flying leads
CM08	7.5	Flying leads
CM13	3.0	Aries/ViX conn.
CM14	7.5	Aries/ViX conn.
CM17	3.0	Compax3 conn.
CM18	7.5	Compax3 conn.
CM22	3.0	only 412LXR-Compax3
CM23	7.5	only 412LXR-Compax3

OEM cable system

The LXR's unharnessed cable system is offered for OEMs and others who have independent methods of routing and managing cables. These systems offer the „quick change“ cartridge, „pass-through“ connection and round high-flex cables in lengths of 3.0 or 7.5 m. They are available with flying lead end terminations as well as connectors for several drive controllers.



406LXR with OEM cables and flying leads

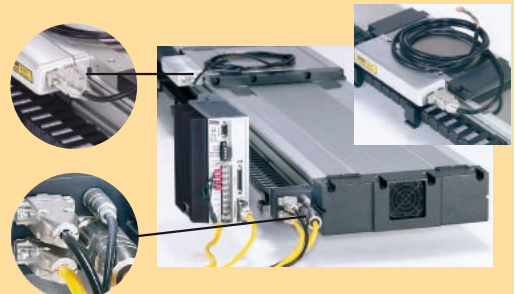
OEM cable system order code

Order code	Extension cable	
	Length [m]	Termination
CM03	3.0	Flying leads
CM04	7.5	Flying leads
CM11	3.0	Aries/ViX conn.
CM12	7.5	Aries/ViX conn.
CM15	3.0	Compax3 conn.
CM16	7.5	Compax3 conn.
CM20	3.0	only 412LXR-Compax3
CM21	7.5	only 412LXR-Compax3

User „pass-through“ cabling

Cable concerns regarding routing and durability for payload or instrument signals are addressed by the pass-through connectivity feature included with both of the LXR cable management systems. Nine pin D-connectors provided on the carriage (with the transport module units) and the cable connecting block combine with high-flex, long life cables for easy setup and dependable performance.

- Pre-wired plug-in connection to the moving payload
- Nine user conductors for end-effectors or instruments
- High-flex long life cables:
 - Ribbon cable – transport module system
 - Round cable – OEM system



Note:
Extension cables are available and can be ordered separately – 006-1743-01 (3 m); 006-1743-02 (7.5 m).

Compax3 – Servo Drive: High Performance Servo Drives

www.parker-eme.com/c3



- Power range from 1 to 25 kW
- Scalable technology functions
- 1 encoder output / 1 encoder input
- 8 digital inputs, 4 digital outputs
- 2 analogue inputs (14 Bit)
- 2 analogue outputs (8 Bit)

ETHERNET
POWERLINK
EtherCAT
Profinet
CANopen
Profibus
DeviceNet
RS232/RS485

Compax3S

- Rated power 1 up to 25 kW
- Auxiliary supply voltage 24 VDC +/-10 %
- Installation in 300 mm control cabinets
- All connections on front panel

User-friendly software

- One tool for all: „Parker Integrated Engineering Tool,, including ServoManager, motor and valve libraries
 - Commissioning, configuration and setup, motor control,
 - Programming, optimization and maintenance
 - Suitable for multi-axis applications
 - Integrated 4-channel oscilloscope for signal analysis

Compax3 technologies

Compax3 T10:



Analog or step/direction input

Compax3 T11:



Positioning

Compax3 T30:



IEC61131-3 Positioning with function modules according to PLCopen

Compax3 T40:



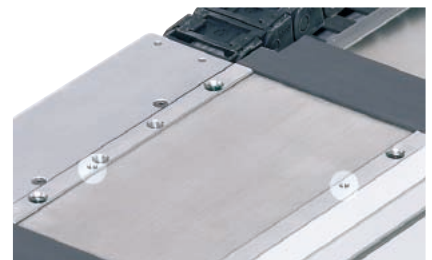
IEC61131-3 Positioning with Cam function modules

Dowel pinning options

Order codes: P1, P2, P3

A standard dowel pin locating holes P1 are offered on all LXR units to facilitate repeatable mounting of tooling or payload.

In addition, pinning options P2 and P3 are offered for precise orthogonal mounting of the second axis in a multi-axis system. In this case, the bottom side of the table base is match drilled and reamed to the first axis to provide exact orthogonal location. This convenient option eliminates concerns regarding contamination or damage often associated with machining for locating pins in an assembled unit. In some instances a 404LXR pinning adapter may be required part number 100-9584-01.



Two locating dowel holes, right (P1 option) shown in 404LXR carriage

Cleanroom Preparation Option

Order code: R2

Cleanroom compatible linear tables are often required for laboratory and production applications in industries such as semiconductor, life science, electronics, and pharmaceuticals. LXR tables with cleanroom preparation were tested in Parker's vertical laminar flow work station, which utilizes ULPA filters to produce a clean environment prior to testing. Tables were tested in a variety of orientations with sampling both below the table and at the carriage mounting surface. Laminar flow rate is 0.16 kPa.



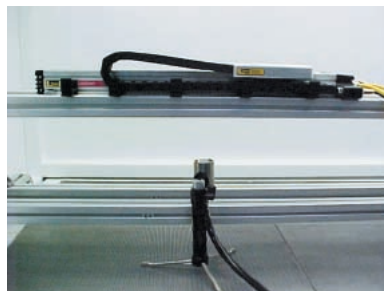
404LXR with cleanroom cover

Standard cleanroom preparation

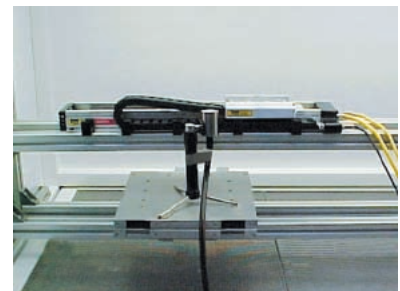
- Stringent cleaning and handling measures
- Cleanroom rated lubrication
- Strip seal replaced with hard shell cover

LXR cleanroom compatibility

Special cleanroom testing can be provided upon request. For more information on cleanroom testing, contact a Parker Applications Engineer.



Testing at 114.3 mm below table



Testing at carriage mounting surface

Toe clamp accessory

Toe clamps for mounting LXR tables are ordered separately. Note that LXR Series toe clamps are not interchangeable with toe clamps for XR series tables.

Part number:

100-8376-01 (404LXR)

002-3624-01 (406LXR)

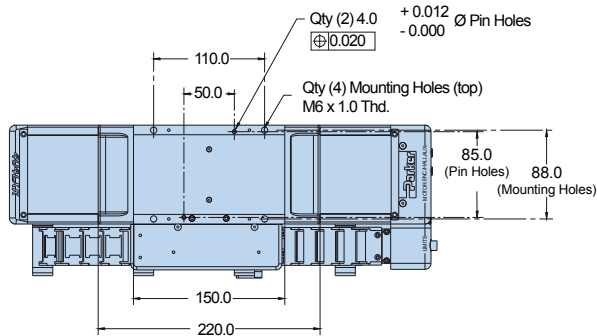
002-2160-01 (412LXR)



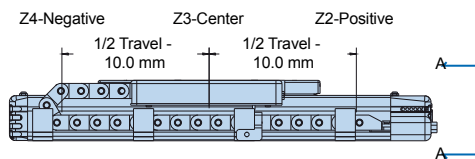
LXR Series Dimensions

404LXR Dimensions

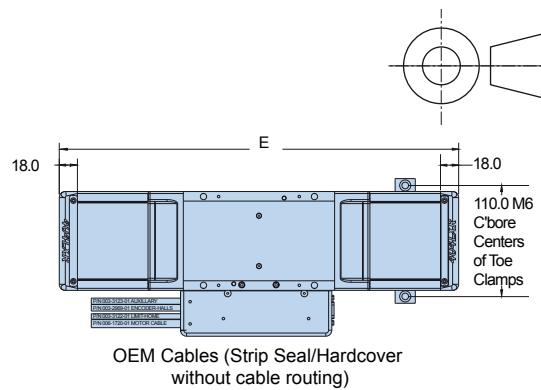
Dimensions [mm]



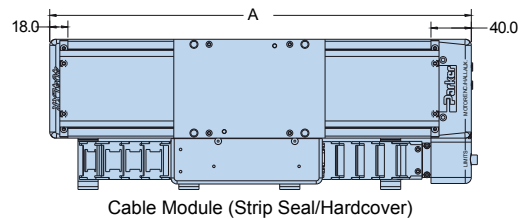
Top View
(with Cable Transport Module)



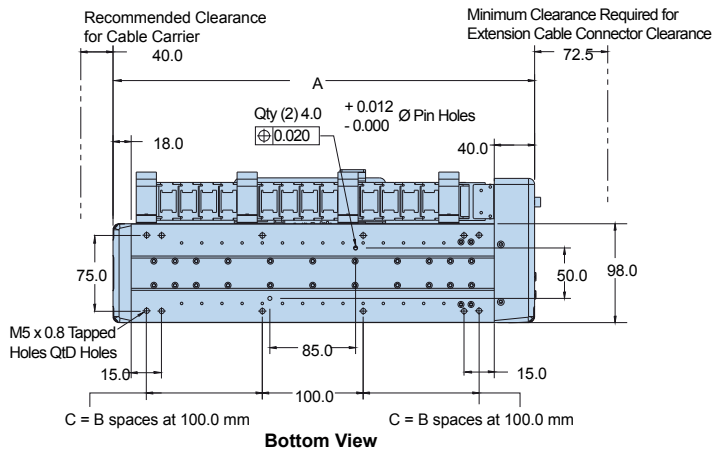
Front View
Z-Channel Location



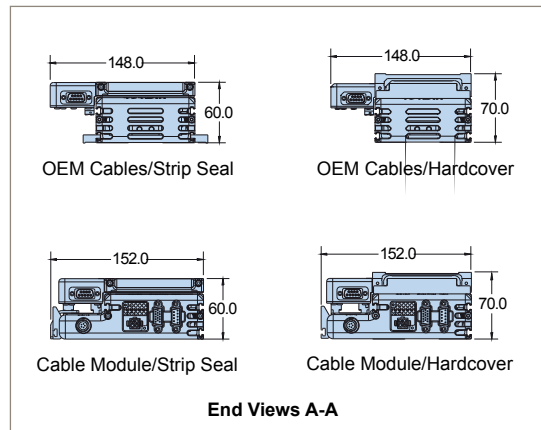
OEM Cables (Strip Seal/Hardcover without cable routing)



Cable Module (Strip Seal/Hardcover)



Bottom View



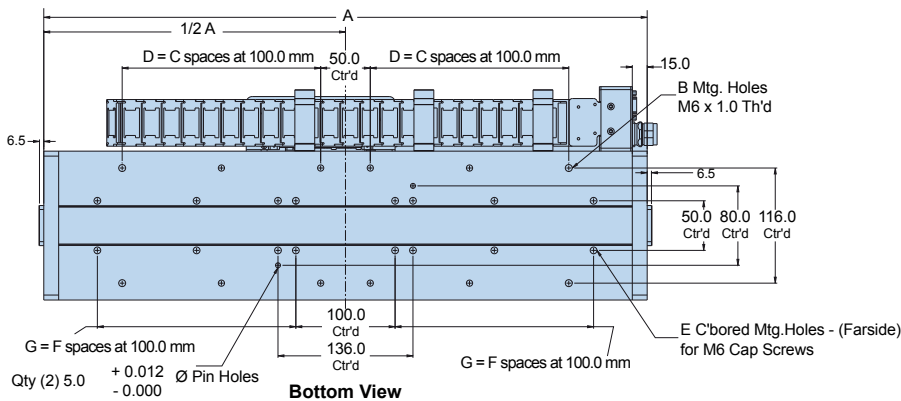
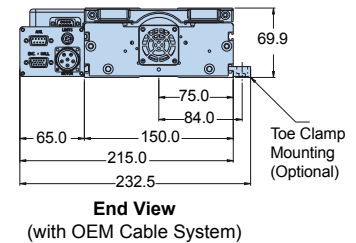
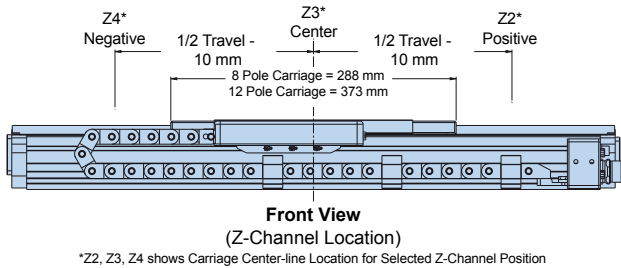
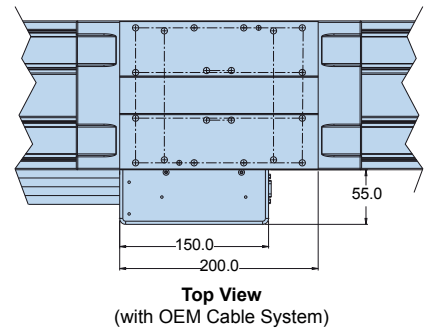
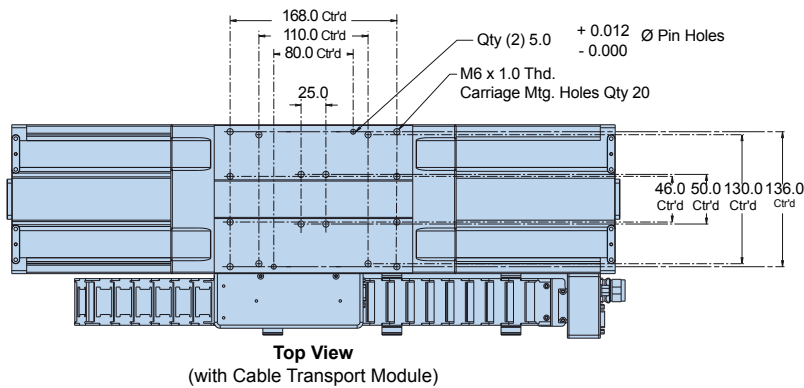
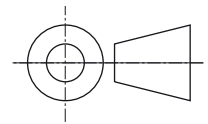
End Views A-A

Frame size	Travel [mm]	Dimensions [mm]				
		Overall length A	Number of spaces left or right B	C	Number of mounting holes D	E
404T00LXR	50	368.0	1	100.0	12	346.0
404T01LXR	100	418.0	1	100.0	12	396.0
404T02LXR	150	468.0	1	100.0	12	446.0
404T03LXR	200	518.0	1	100.0	12	496.0
404T04LXR	250	568.0	1	100.0	12	546.0
404T05LXR	300	618.0	2	200.0	16	596.0
404T06LXR	350	668.0	2	200.0	16	646.0
404T07LXR	400	718.0	2	200.0	16	696.0
404T08LXR	450	768.0	2	200.0	16	746.0
404T09LXR	500	818.0	3	300.0	20	796.0
404T10LXR	550	868.0	3	300.0	20	846.0
404T11LXR	600	918.0	3	300.0	20	896.0
404T12LXR	650	968.0	3	300.0	20	946.0
404T13LXR	700	1018.0	4	400.0	24	996.0
404T14LXR	750	1068.0	4	400.0	24	1046.0
404T15LXR	800	1118.0	4	400.0	24	1096.0
404T16LXR	850	1168.0	4	400.0	24	1146.0
404T17LXR	900	1218.0	5	500.0	28	1196.0
404T18LXR	950	1268.0	5	500.0	28	1246.0
404T19LXR	1000	1318.0	5	500.0	28	1296.0

406LXR Dimensions

8 or 12 pole slotless motor

Dimensions [mm]

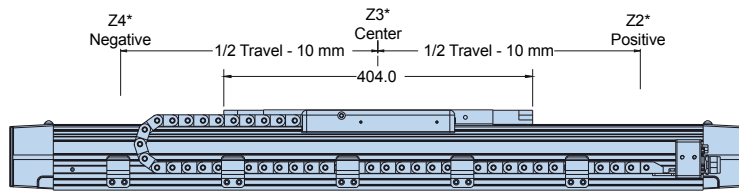
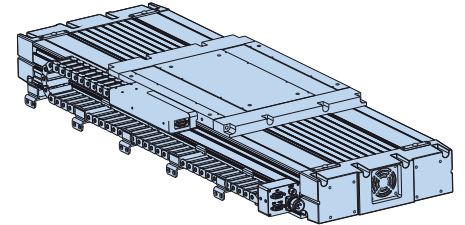
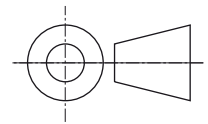
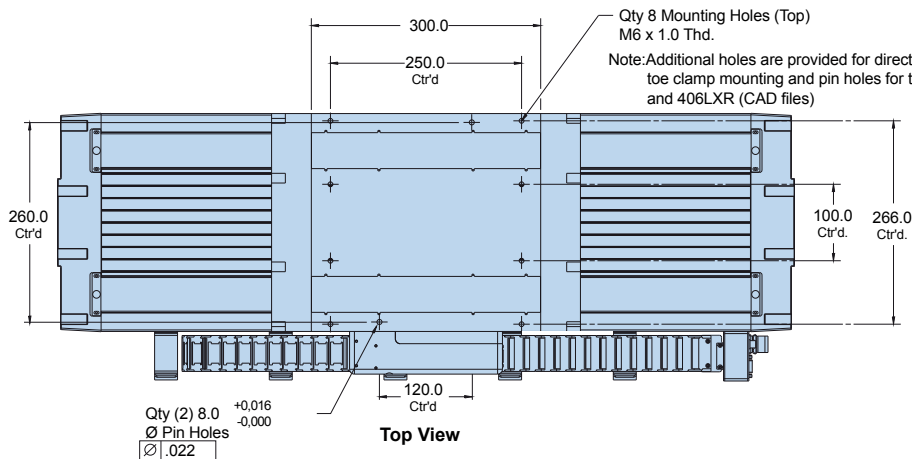


Frame size	Travel [mm]		Dimensions [mm]						
			Overall length	Number of mounting holes	Number of spaces left or right		Number of mounting holes	Number of spaces left or right	
	8 Pole	12 Pole	A	B	C	D	E	F	G
406T01LXR	50	—	408	8	1	100.0	12	1	100.0
406T02LXR	150	50	508	8	1	100.0	12	1	100.0
406T03LXR	250	150	608	12	2	200.0	16	2	200.0
406T04LXR	350	250	708	12	2	200.0	16	2	200.0
406T05LXR	450	350	808	16	3	300.0	20	3	300.0
406T06LXR	550	450	908	16	3	300.0	20	3	300.0
406T07LXR	650	550	1008	20	4	400.0	24	4	400.0
406T08LXR	750	650	1108	20	4	400.0	24	4	400.0
406T09LXR	850	750	1208	24	5	500.0	28	5	500.0
406T10LXR	950	850	1308	24	5	500.0	28	5	500.0
406T11LXR	1200	1100	1558	32	7	700.0	32	6	600.0
406T12LXR	1450	1350	1808	36	8	800.0	40	8	800.0
406T13LXR	1700	1600	2058	40	9	900.0	44	9	900.0
406T14LXR	1950	1850	2308	44	10	1000.0	48	10	1000.0

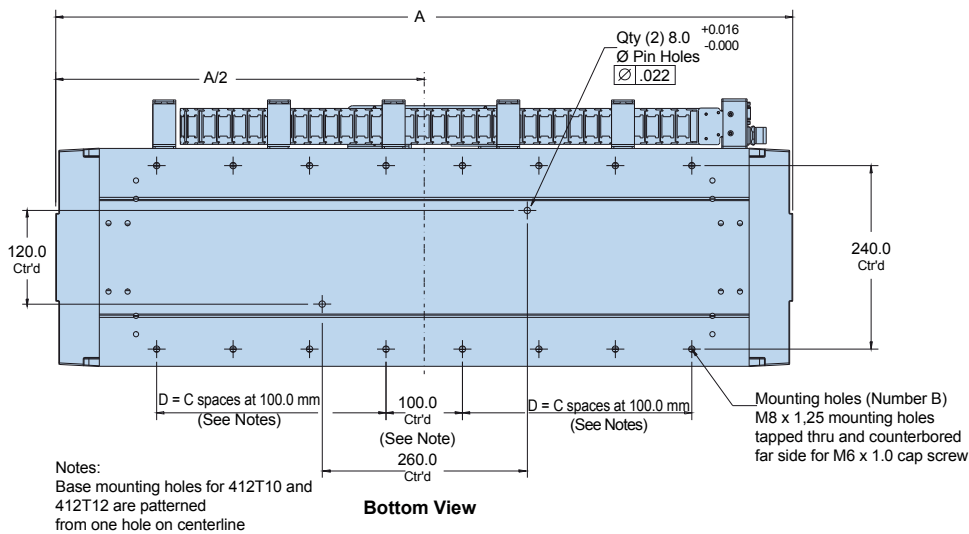
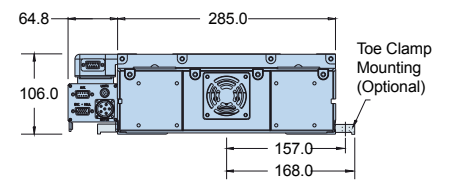
412LXR Dimensions

12 pole slotless motor

Dimensions [mm]



*Z2, Z3, Z4 shows Carriage Center-line Location for Selected Z-Channel Position



Baugröße	Travel [mm]	Dimensions [mm]			
		Overall length A	Number of mounting holes B	Number of spaces left or right C	D
412T01LXR	150	764	12	2	200
412T02LXR	250	864	16	3	300
412T03LXR	350	964	16	3	300
412T04LXR	650	1264	24	5	500
412T05LXR	800	1414	24	5	500
412T06LXR	1000	1614	28	6	600
412T07LXR	1200	1814	32	7	700
412T08LXR	1500	2114	40	9	900
412T09LXR	1750	2364	44	10	1000
412T10LXR	2000	2614	50	12	1200
412T11LXR	2500	3114	60	14	1400
412T12LXR	3000	3614	70	17	1700

LXR Series Ordering Information

404LXR Ordering Information

Fill in an order code from each of the numbered fields to create a complete model order code.

	1	2	3	4	5	6	7	8	9	10	11	12	13	14
Order example	404	T04	LXR	M	P	D13	H3	L2	CM15	Z2	E7	R1	A1	P1

1 Frame size	9 Cable management
404 98 mm profile width	CM01 None
2 Travel - mm	CM02 Cable transport module (only)
8 pole motor	CM03 3.0 m OEM cable set-FL
T00 50	CM04 7.5 m OEM cable set-FL
T01 100	CM07 Cable transport module with 3.0 m-FL*
T02 150	CM08 Cable transport module with 7.5 m-FL*
T03 200	CM11 3.0 m OEM cable set-Aries/ViX
T04 250	CM12 7.5 m OEM cable set-Aries/ViX
T05 300	CM13 Cable transport module with 3.0 m-Aries/ViX*
T06 350	CM14 Cable transport module with 7.5 m-Aries/ViX*
T07 400	CM15 3.0 m OEM cable set – Compax3
T08 450	CM16 7.5 m OEM cable set – Compax3
T09 500	CM17 Cable transport module with 3.0 m-Compax3
T10 550	CM18 Cable transport module with 7.5 m-Compax3
T11 600	* Extension cable for pass through connection is available and can be ordered separately: #006-1743-01 (3 m); #006-1743-02 (7.5 m)
T12 650	10 Z channel location*
T13 700	Z1 None
T14 750	Z2 Positive end position
T15 800	Z3 Center position
T16 850	Z4 Negative end position
T17 900	* Refer to dimensions on previous pages
T18 950	11 Encoder option
T19 1000	E1 None
3 Model	E2 1.0 µm resolution (RS422)
LXR Linear motor	E3 0.5 µm resolution (RS422)
4 Mounting	E4 0.1 µm resolution (RS422)
M Metric	E5 5.0 µm resolution (RS422)
5 Grade	E7 Sine Cosine 1 V _{ss} for C3F12
P Precision	12 Environmental option
6 Drive type	R1 Strip seal
D3 None - free travel/idler	R2 Protective cover
D13 8 pole motor	cleanroom class 10 (ISO 4)
7 Home sensor	R3 Hard cover without cleanroom prep
H1 None	13 Digital drive
H2 NC, sinking	A1 None
H3 NO, sinking	14 Pinning option
H4 NC, sourcing	P1 None
H5 NO, sourcing	P2* X axis transfer pinning to Y or Z axis - 30 arcsec
8 Limit sensor	P3* Y axis transfer pinning to X axis - 30 arcsec
L1 None	* Transfer pinning to XR from LXR requires additional bracket, please contact Parker EME.
L2 NC, sinking	
L3 NO, sinking	
L4 NC, sourcing	
L5 NO, sourcing	

406LXR Ordering Information

Fill in an order code from each of the numbered fields to create a complete model order code.

	1	2	3	4	5	6	7	8	9	10	11	12	13	14
Order example	406	T08	LXR	M	P	D13	H2	L2	CM15	Z2	E7	R1	A1	P1

1 Frame size

406 150 mm profile width

2 Travel -mm

	8 pole motor	12 pole motor
T01	50	-
T02	150	50
T03	250	150
T04	350	250
T05	450	350
T06	550	450
T07	650	550
T08	750	650
T09	850	750
T10	950	850
T11	1200	1100
T12	1450	1350
T13	1700	1650
T14	1950	1850

3 Model

LXR Linear motor

4 Mounting

M Metric

5 Grade

P Precision

6 Drive type

Free travel/idler (no motor)
D3 Corresponds to the 8 pole motor
D5 Corresponds to the 12 pole motor
Linear motor
D13 8 pole motor carriage
D15 12 pole motor carriage

7 Home sensor

H1 None
H2 NC, sinking
H3 NO, sinking
H4 NC, sourcing
H5 NO, sourcing

8 Limit sensor

L1 None
L2 NC, sinking
L3 NO, sinking
L4 NC, sourcing
L5 NO, sourcing

9 Cable management

CM01 None
CM02 Cable transport module (only)
CM03 3.0 m OEM cable set-FL
CM04 7.5 m OEM cable set-FL
CM07 Cable transport module with 3.0 m-FL*
CM08 Cable transport module with 7.5 m-FL*
CM11 3.0 m OEM cable set-Aries/ViX
CM12 7.5 m OEM cable set-Aries/ViX
CM13 Cable transport module with 3.0 m-Aries/ViX*
CM14 Cable transport module with 7.5 m-Aries/ViX*
CM15 3.0 m OEM cable set – Compax3
CM16 7.5 m OEM cable set – Compax3
CM17 Cable transport module with 3.0 m-Compax3
CM18 Cable transport module with 7.5 m-Compax3

* Extension cable for pass through connection is available and can be ordered separately: #006-1743-01 (3 m); #006-1743-02 (7.5 m)

10 Z Channel location*

Z1 None
Z2 Positive end position
Z3 Center position
Z4 Negative end position

* Refer to dimensions on previous pages

11 Encoder option

E1 None
E2 1.0 µm resolution (RS422)
E3 0.5 µm resolution (RS422)
E4 0.1 µm resolution (RS422)
E5 5.0 µm resolution (RS422)
E7 Sine Cosine 1 V_{ss} for C3F12

12 Environmental option

R1 Strip seal
R2 Protective cover
cleanroom class 10 (ISO 4)

13 Digital drive

A1 None

14 Pinning option

P1 None
P2* X axis transfer pinning to Y or Z axis
- 30 arcsec
P3* Y axis transfer pinning to X axis - 30 arcsec

* Transfer pinning to XR from LXR requires additional bracket, please contact Parker EME.

412LXR Bestellinformation

Fill in an order code from each of the numbered fields to create a complete model order code.

	1	2	3	4	5	6	7	8	9	10	11	12	13	14
Order example	412	T09	LXR	M	P	D15	H3	L2	CM20	Z2	E7	R1	A1	P1

<p>1 Frame size 412 285 mm profile width</p> <p>2 Travel - mm 12 pole motor</p> <table border="0"> <tr><td>T01</td><td>150</td></tr> <tr><td>T02</td><td>250</td></tr> <tr><td>T03</td><td>350</td></tr> <tr><td>T04</td><td>650</td></tr> <tr><td>T05</td><td>800</td></tr> <tr><td>T06</td><td>1000</td></tr> <tr><td>T07</td><td>1200</td></tr> <tr><td>T08</td><td>1500</td></tr> <tr><td>T09</td><td>1750</td></tr> <tr><td>T10</td><td>2000</td></tr> <tr><td>T11</td><td>2500</td></tr> <tr><td>T12</td><td>3000</td></tr> </table> <p>3 Model LXR Linear motor</p> <p>4 Mounting M Metric</p> <p>5 Grade P Precision</p> <p>6 Drive type D5 None - free travel/idler D15 12 pole motor</p> <p>7 Home sensor H1 None H2 NC, sinking H3 NO, sinking H4 NC, sourcing H5 NO, sourcing</p> <p>8 Limit sensor L1 None L2 NC, sinking L3 NO, sinking L4 NC, sourcing L5 NO, sourcing</p>	T01	150	T02	250	T03	350	T04	650	T05	800	T06	1000	T07	1200	T08	1500	T09	1750	T10	2000	T11	2500	T12	3000	<p>9 Cable management CM01 None CM02 Cable transport module (only) CM03 3.0 m OEM cable set-FL CM04 7.5 m OEM cable set-FL CM07 Cable transport module with 3.0 m-FL* CM08 Cable transport module with 7.5 m-FL* CM11 3.0 m OEM cable set-Aries/ViX CM12 7.5 m OEM cable set-Aries/ViX CM13 Cable transport module with 3.0 m-Aries/ViX* CM14 Cable transport module with 7.5 m-Aries/ViX* CM20 3.0 m OEM cable set – Compax3 CM21 7.5 m OEM cable set – Compax3 CM22 Cable transport module with 3.0 m-Compax3 CM23 Cable transport module with 7.5 m-Compax3</p> <p>* Extension cable for pass through connection is available and can be ordered separately: #006-1743-01 (3 m); #006-1743-02 (7.5 m)</p> <p>10 Z Channel location* Z1 None Z2 Positive end position Z3 Center position Z4 Negative end position</p> <p>* Refer to dimensions on previous pages</p> <p>11 Encoder option E1 None E2 1.0 µm resolution (RS422) E3 0.5 µm resolution (RS422) E4 0.1 µm resolution (RS422) E5 5.0 µm resolution (RS422) E7 Sine Cosine 1 V_{ss} for C3F12</p> <p>12 Environmental option R1 Strip seal R2 Protective cover cleanroom class 10 (ISO 4)</p> <p>13 Digital drive A1 None</p> <p>14 Pinning option P1 None P2* X axis transfer pinning to Y or Z axis - 30 arcsec P3* Y axis transfer pinning to X axis - 30 arcsec</p> <p>* Transfer pinning to XR from LXR requires additional bracket, please contact Parker EME.</p>
T01	150																								
T02	250																								
T03	350																								
T04	650																								
T05	800																								
T06	1000																								
T07	1200																								
T08	1500																								
T09	1750																								
T10	2000																								
T11	2500																								
T12	3000																								



WARNING – USER RESPONSIBILITY

FAILURE OR IMPROPER SELECTION OR IMPROPER USE OF THE PRODUCTS DESCRIBED HEREIN OR RELATED ITEMS CAN CAUSE DEATH, PERSONAL INJURY AND PROPERTY DAMAGE.

- This document and other information from Parker-Hannifin Corporation, its subsidiaries and authorized distributors provide product or system options for further investigation by users having technical expertise.
- The user, through its own analysis and testing, is solely responsible for making the final selection of the system and components and assuring that all performance, endurance, maintenance, safety and warning requirements of the application are met. The user must analyze all aspects of the application, follow applicable industry standards, and follow the information concerning the product in the current product catalog and in any other materials provided from Parker or its subsidiaries or authorized distributors.
- To the extent that Parker or its subsidiaries or authorized distributors provide component or system options based upon data or specifications provided by the user, the user is responsible for determining that such data and specifications are suitable and sufficient for all applications and reasonably foreseeable uses of the components or systems.



北京润诚时代科技有限公司

自动化事业部

地址：北京市朝阳区汤立路218号C座968室

邮编：100012

电话：010-84450370

传真：010-84450371

网址：www.runcheng.net

